

RF

Component Numbers: Bxx - 9xx  
Sheet 9 - II

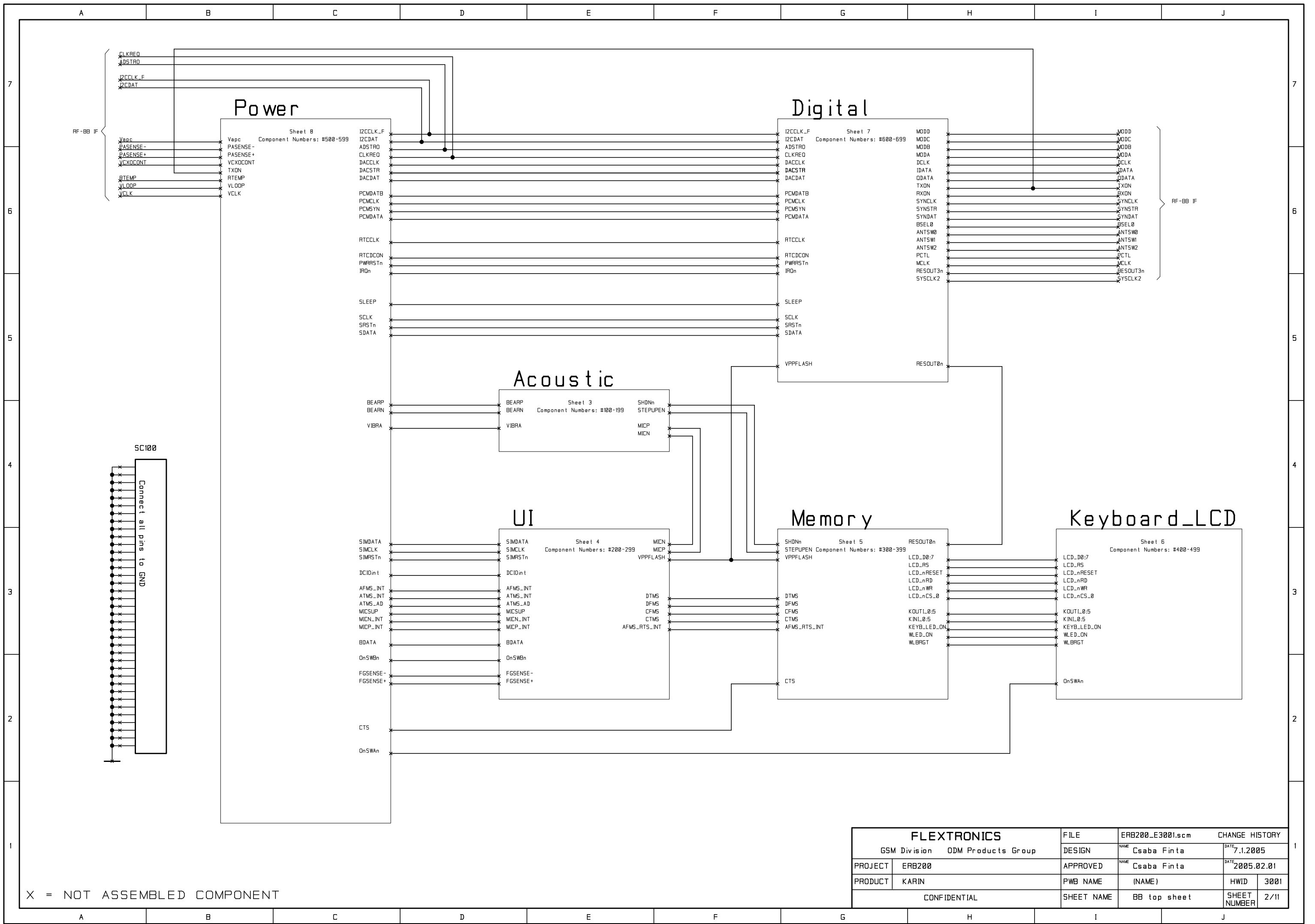
BB

Component Numbers: lxx -6xx  
Sheet 2 - 8

- |          |   |          |
|----------|---|----------|
| I2CDAT   | X | I2CDAT   |
| I2CCLK_F | X | I2CCLK_F |
| Vapc     | X | Vapc     |
| PASENSE- | X | PASENSE- |
| PASENSE+ | X | PASENSE+ |
| VCXOCONT | X | VCXOCONT |
| RTEMP    | X | RTEMP    |
| VLOOP    | X | VLOOP    |
| SYSCLK2  | X | SYSCLK2  |
| RESOUT3n | X | RESOUT3n |
| MCLK     | X | MCLK     |
| CLKREQ   | X | CLKREQ   |
| VCLK     | X | VCLK     |
| PCTL     | X | PCTL     |
| ANTSW2   | X | ANTSW2   |
| ANTSWI   | X | ANTSWI   |
| ANTSW0   | X | ANTSW0   |
| BSEL0    | X | BSEL0    |
| SYNDAT   | X | SYNDAT   |
| SYNSTR   | X | SYNSTR   |
| SYNCLK   | X | SYNCLK   |
| RXON     | X | RXON     |
| TXON     | X | TXON     |
| ODATA    | X | ODATA    |
| IDATA    | X | IDATA    |
| DCLK     | X | DCLK     |
| MODA     | X | MODA     |
| MODB     | X | MODB     |
| MODC     | X | MODC     |
| MODD     | X | MODD     |
| ADSTRO   | X | ADSTRO   |

X = NOT ASSEMBLED COMPONENT

|                                 |        |            |                  |                |            |
|---------------------------------|--------|------------|------------------|----------------|------------|
| <b>FLEXTRONICS</b>              |        | FILE       | ERB200_E3001.scm | CHANGE HISTORY |            |
| GSM Division ODM Products Group |        | DESIGN     | NAME Csaba Finta | DATE           | 7.1.2005   |
| PROJECT                         | ERB200 | APPROVED   | NAME Csaba Finta | DATE           | 2005.02.01 |
| PRODUCT                         | KARIN  | PWB NAME   | (NAME)           | HWID           | 3001       |
| CONFIDENTIAL                    |        | SHEET NAME | Top sheet        | SHEET NUMBER   | 1/11       |



X = NOT ASSEMBLED COMPONENT

|   |        |          |                  |                |                   |
|---|--------|----------|------------------|----------------|-------------------|
| <b>FLEXTRONICS</b><br>GSM Division ODM Products Group |        | FILE     | ERB200_E3001.scm | CHANGE HISTORY |                   |
|   |        | DESIGN   | NAME Csaba Finta | DATE           | 7.1.2005          |
| PROJECT   | ERB200 | APPROVED | NAME Csaba Finta | DATE           | 2005.02.01        |
| PRODUCT   | KARIN  | PWB NAME | (NAME)           | HWID           | 3001              |
| CONFIDENTIAL  |        |          | SHEET NAME       | BB top sheet   | SHEET NUMBER 2/11 |

# Acoustics

#100-199

## Receiver

#100-105

B560  
LTR711

## Vibra

#120-121

M24TH2-7877B40

VIBRA  
MOTOR

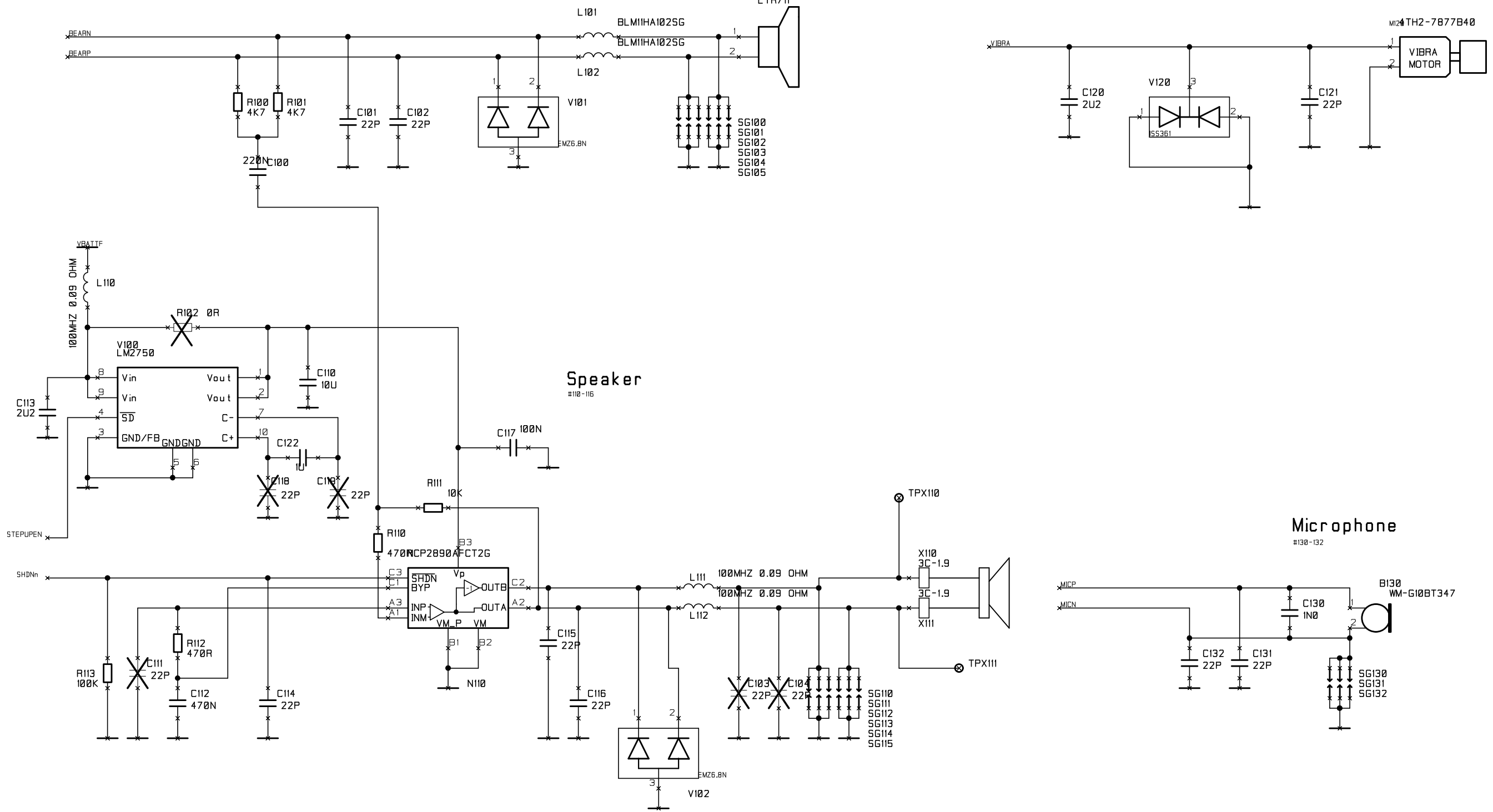
## Speaker

#110-116

## Microphone

#130-132

B130  
WM-G10BT347

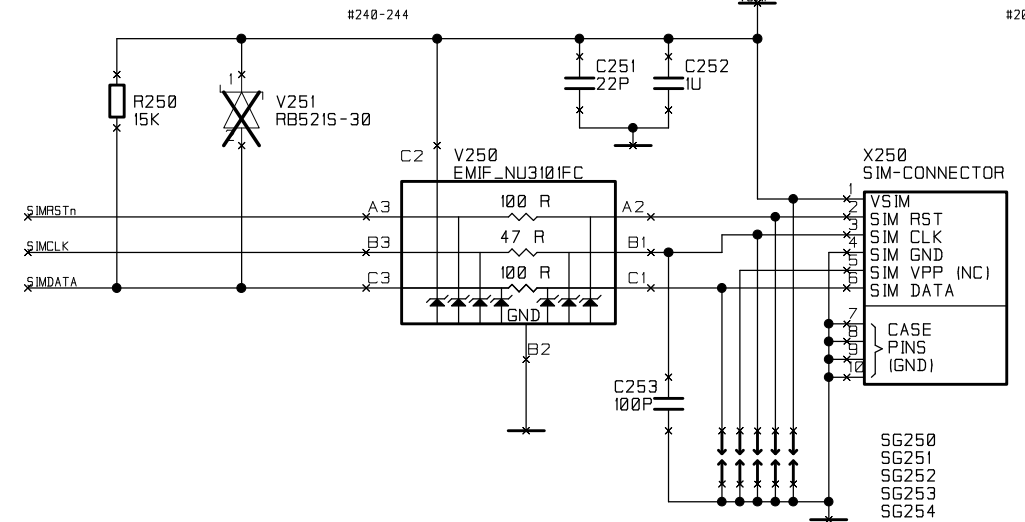


X = NOT ASSEMBLED COMPONENT

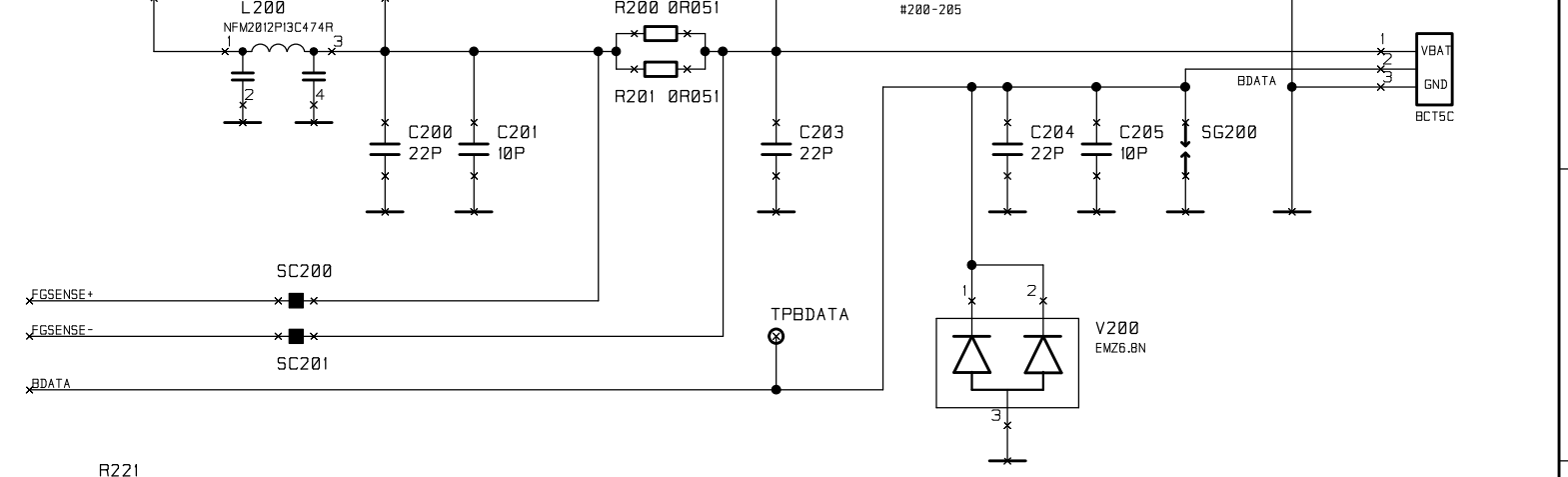
| FLEXTRONICS                     |        | FILE       | ERB200_E3001.scm | CHANGE HISTORY    |
|---------------------------------|--------|------------|------------------|-------------------|
| GSM Division ODM Products Group |        | DESIGN     | NAME Jeppe Sloth | DATE 7.1.2005     |
| PROJECT                         | ERB200 | APPROVED   | NAME Csaba Finta | DATE 2005.02.01   |
| PRODUCT                         | KARIN  | PWB NAME   | (NAME)           | HWID 3001         |
| CONFIDENTIAL                    |        | SHEET NAME | ACOUSTICS        | SHEET NUMBER 3/11 |

# UI Sheet

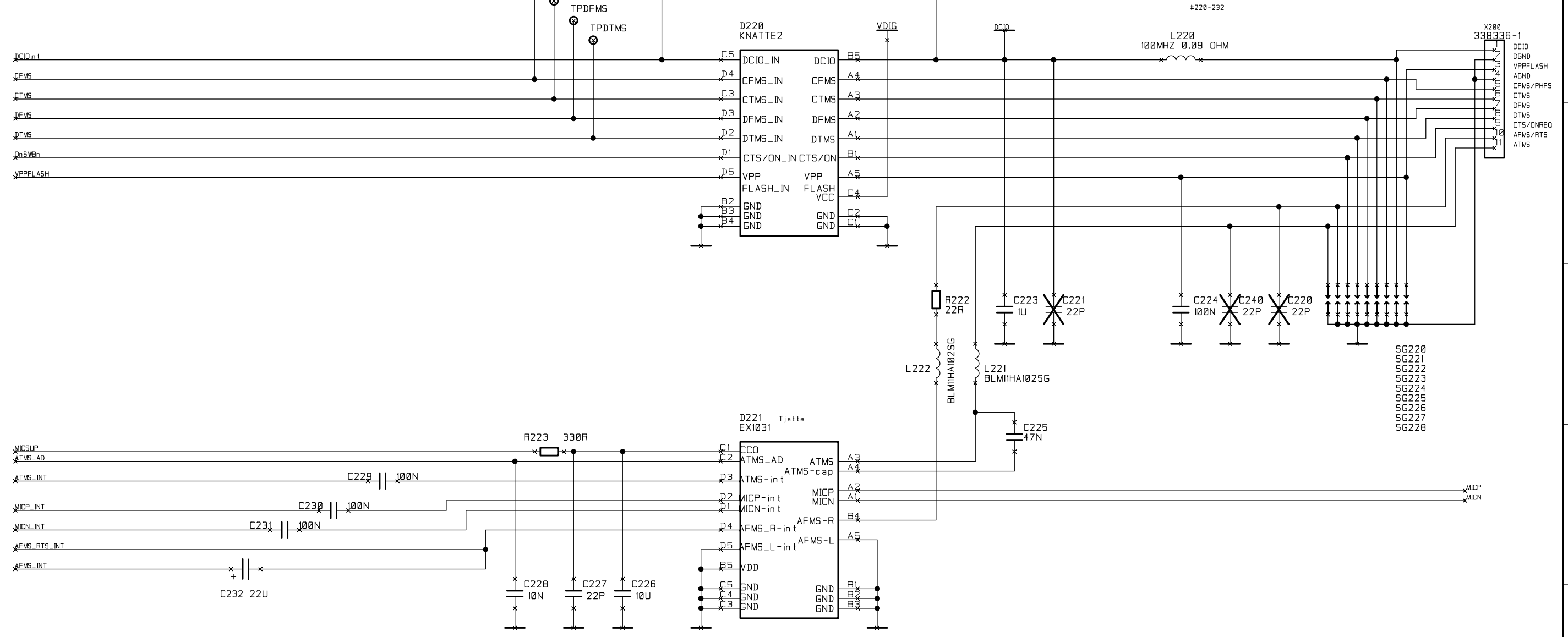
## SIM Interface



## Battery Interface



## System Connector

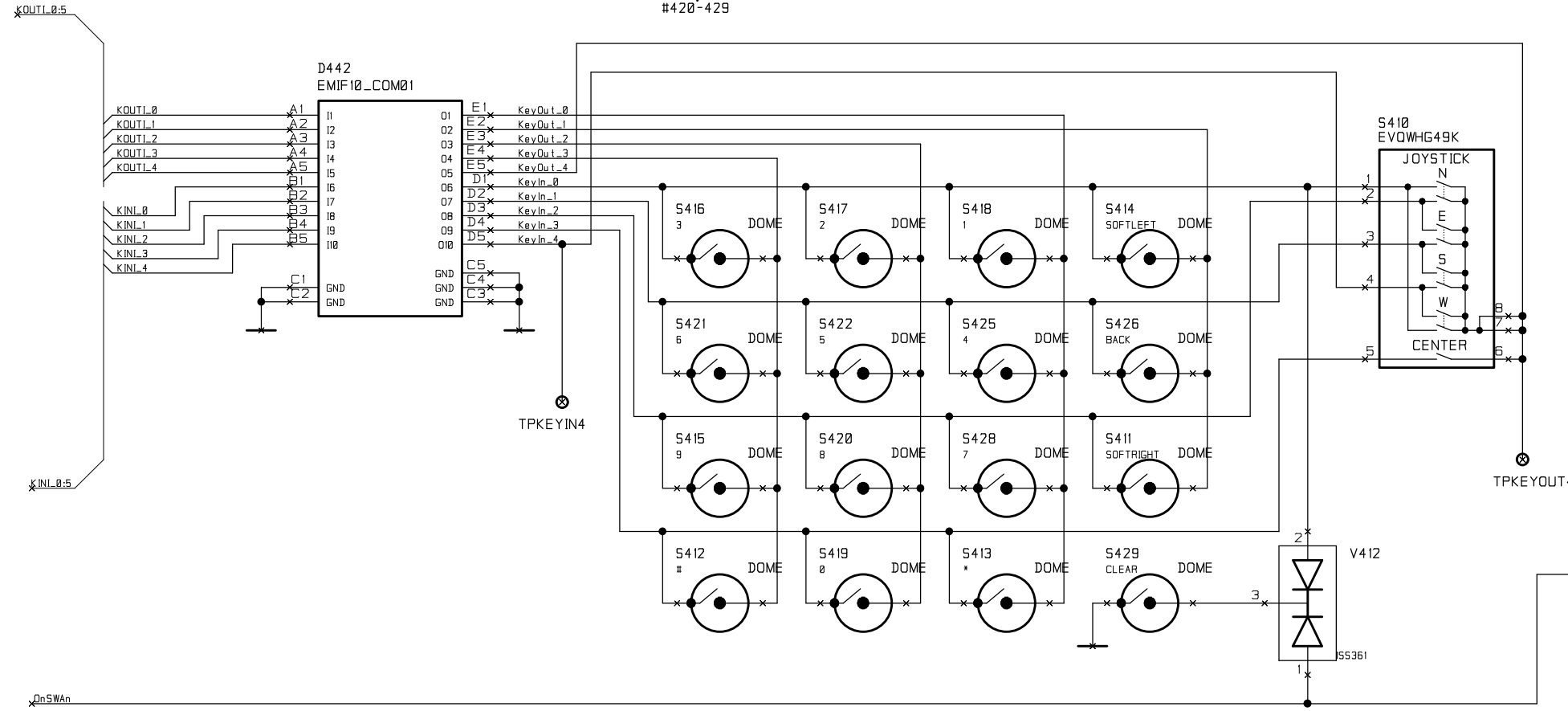


X = NOT ASSEMBLED COMPONENT

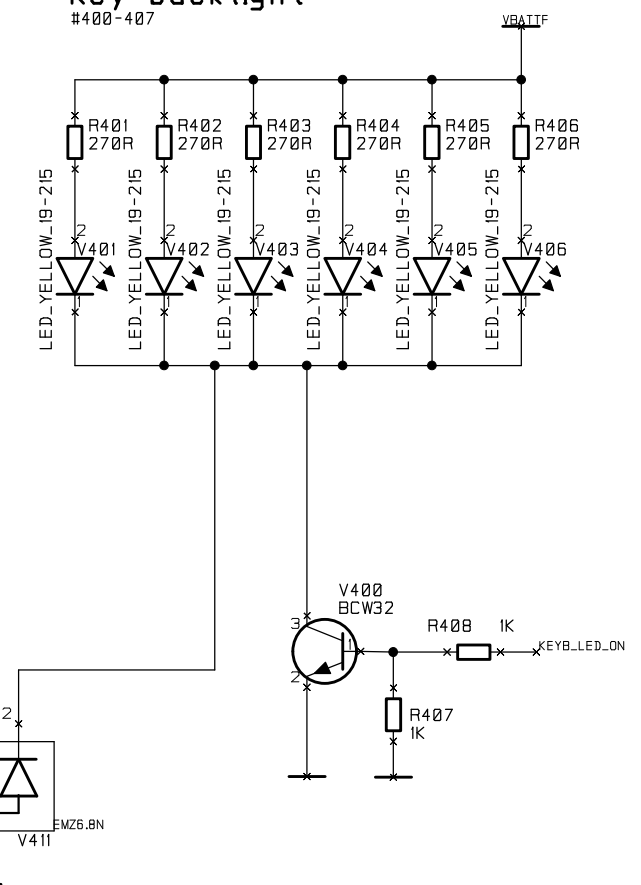
| FLEXTRONICS                     |        | FILE       | ERB200_E3001.scm | CHANGE HISTORY |            |
|---------------------------------|--------|------------|------------------|----------------|------------|
| GSM Division ODM Products Group |        | DESIGN     | NAME Csaba Finta | DATE           | 7.1.2005   |
| PROJECT                         | ERB200 | APPROVED   | NAME Csaba Finta | DATE           | 2005.02.01 |
| PRODUCT                         | KARIN  | PWB NAME   | (NAME)           | HWID           | 3001       |
| CONFIDENTIAL                    |        | SHEET NAME | UI               | SHEET NUMBER   | 4/11       |



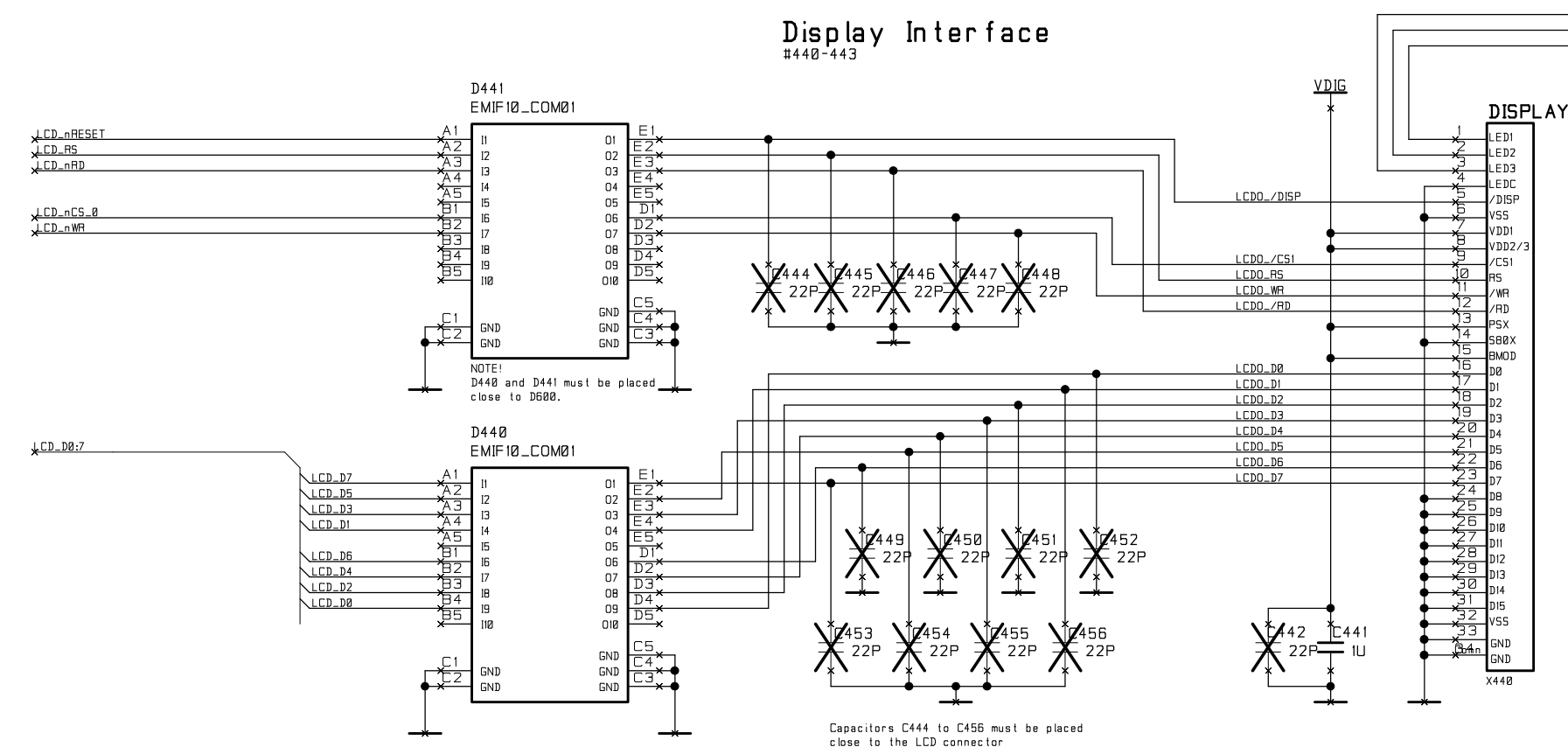
### Keyboard Interface #420-429



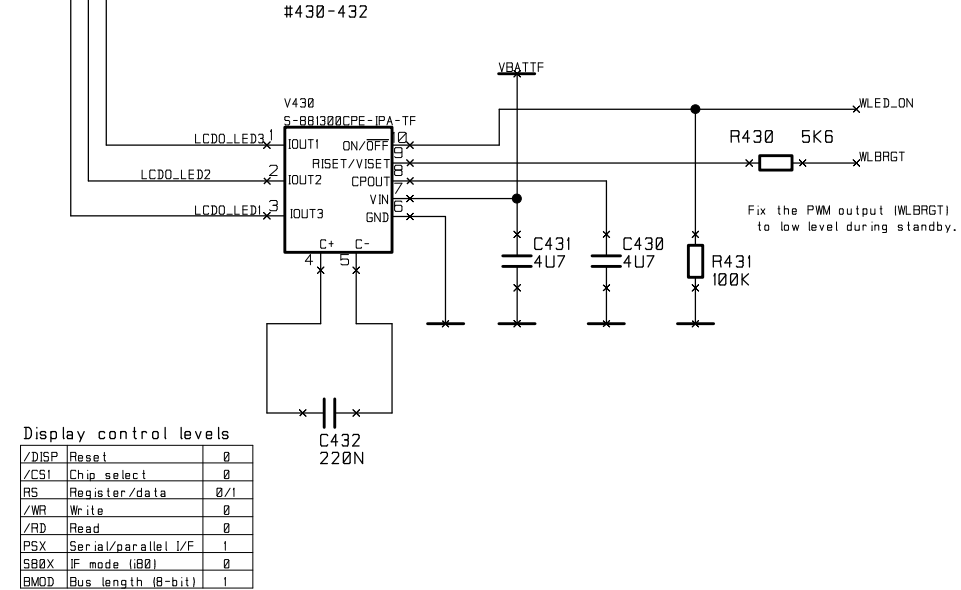
### Key backlight #400-407



### Display Interface #440-443



### White LED Driver #430-432



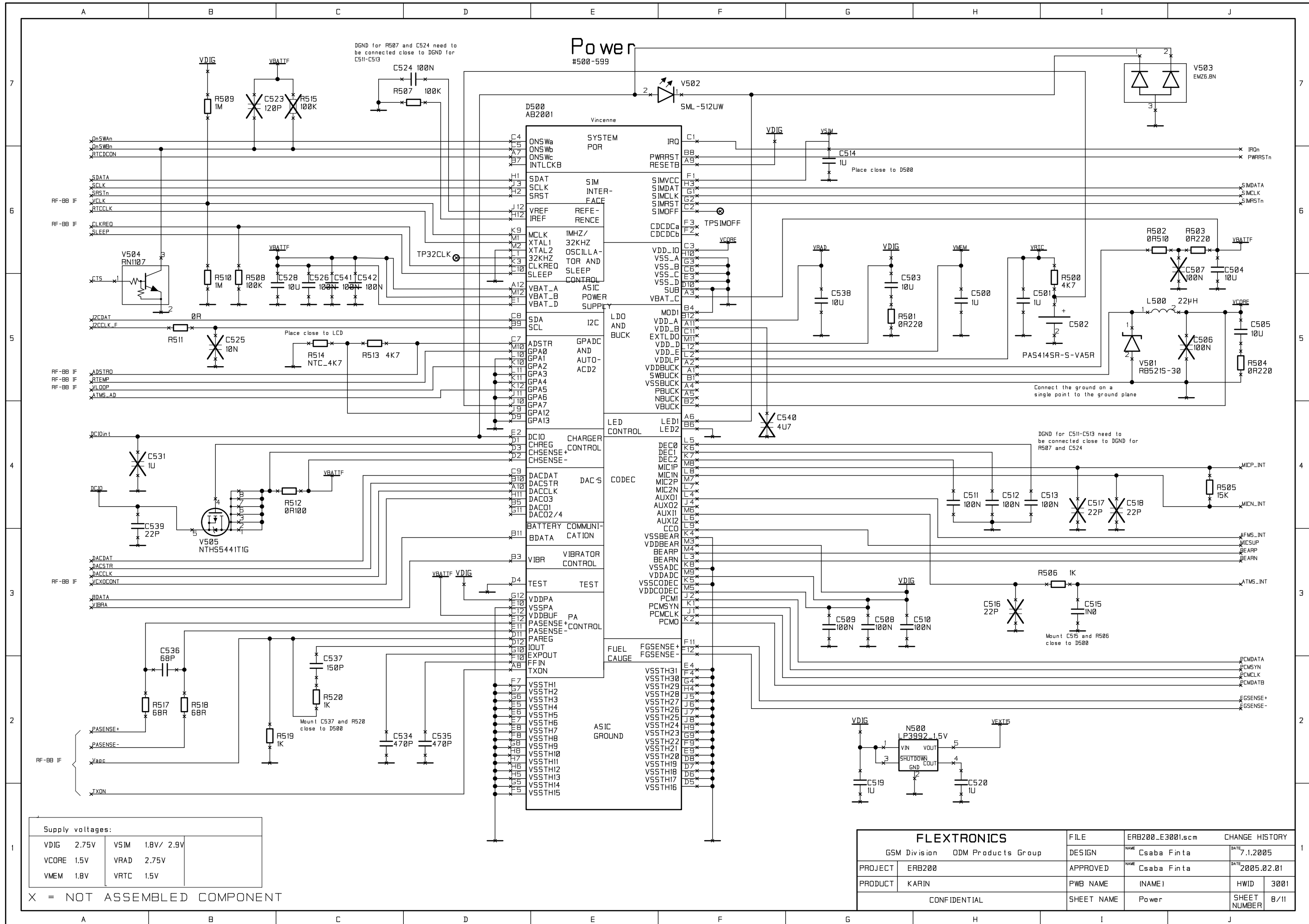
Display control levels

|                         |     |
|-------------------------|-----|
| /DISP_Reset             | 0   |
| /CS1_Chip_select        | 0   |
| RS_Register/data        | 0/1 |
| /WR_Write               | 0   |
| /RD_Read                | 0   |
| PSX_Serial/parallel I/F | 1   |
| SB0X_IF_mode (80)       | 0   |
| BMOD_Bus_length (8-bit) | 1   |

|   |        |            |                  |                |            |
|---|--------|------------|------------------|----------------|------------|
| <b>FLEXTRONICS</b><br>GSM Division ODM Products Group |        | FILE       | ERB200_E3001.scm | CHANGE HISTORY |            |
|   |        | DESIGN     | NAME Jeppe Sloth | DATE           | 7.1.2005   |
| PROJECT   | ERB200 | APPROVED   | NAME Csaba Finta | DATE           | 2005.02.01 |
| PRODUCT   | KARIN  | PWB NAME   | (NAME)           | HWID           | 3001       |
| CONFIDENTIAL  |        | SHEET NAME | Keyboard_LCD     | SHEET NUMBER   | 6/11       |

X = NOT ASSEMBLED COMPONENT





| Supply voltages: |       |      |             |
|------------------|-------|------|-------------|
| VDIG             | 2.75V | VSIM | 1.8V / 2.9V |
| VCORE            | 1.5V  | VRAD | 2.75V       |
| VMEM             | 1.8V  | VRTC | 1.5V        |

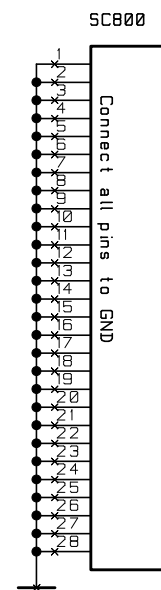
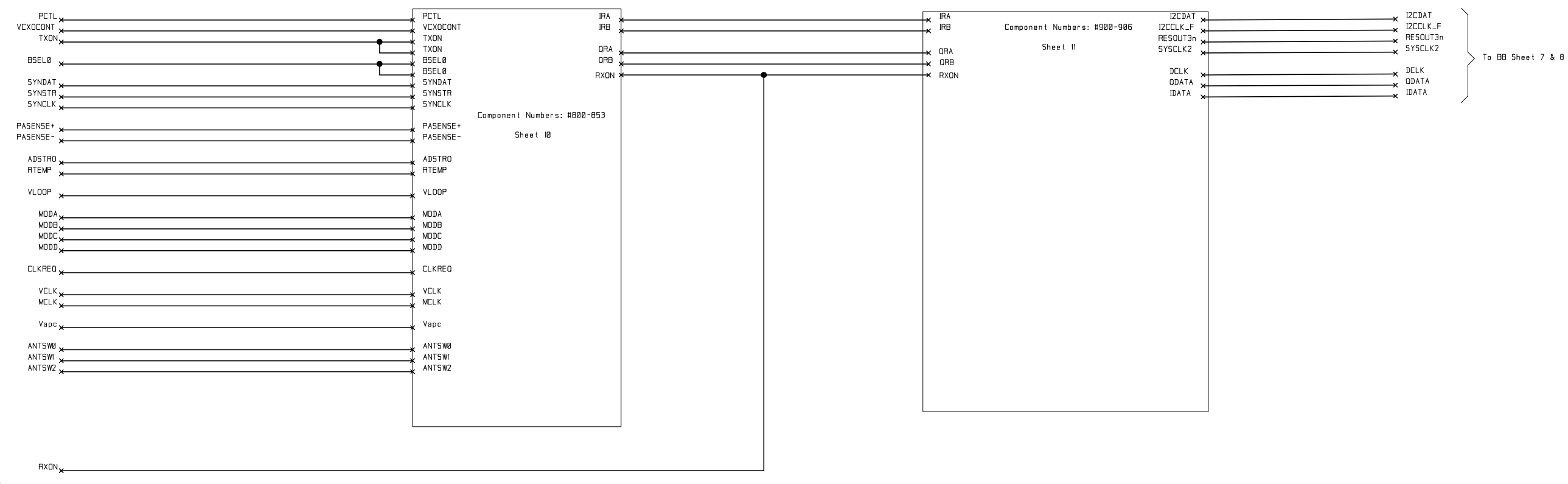
X = NOT ASSEMBLED COMPONENT

| FLEXTRONICS  |        |                    |                  | FILE            | ERB200_E3001.scm | CHANGE HISTORY    |
|--------------|--------|--------------------|------------------|-----------------|------------------|-------------------|
| GSM Division |        | ODM Products Group |                  | DESIGN          | NAME Csaba Finta | DATE 7.1.2005     |
| PROJECT      | ERB200 | APPROVED           | NAME Csaba Finta | DATE 2005.02.01 |                  |                   |
| PRODUCT      | KARIN  | PWB NAME           | (NAME)           | HWID            | 3001             |                   |
| CONFIDENTIAL |        |                    |                  | SHEET NAME      | Power            | SHEET NUMBER 8/11 |



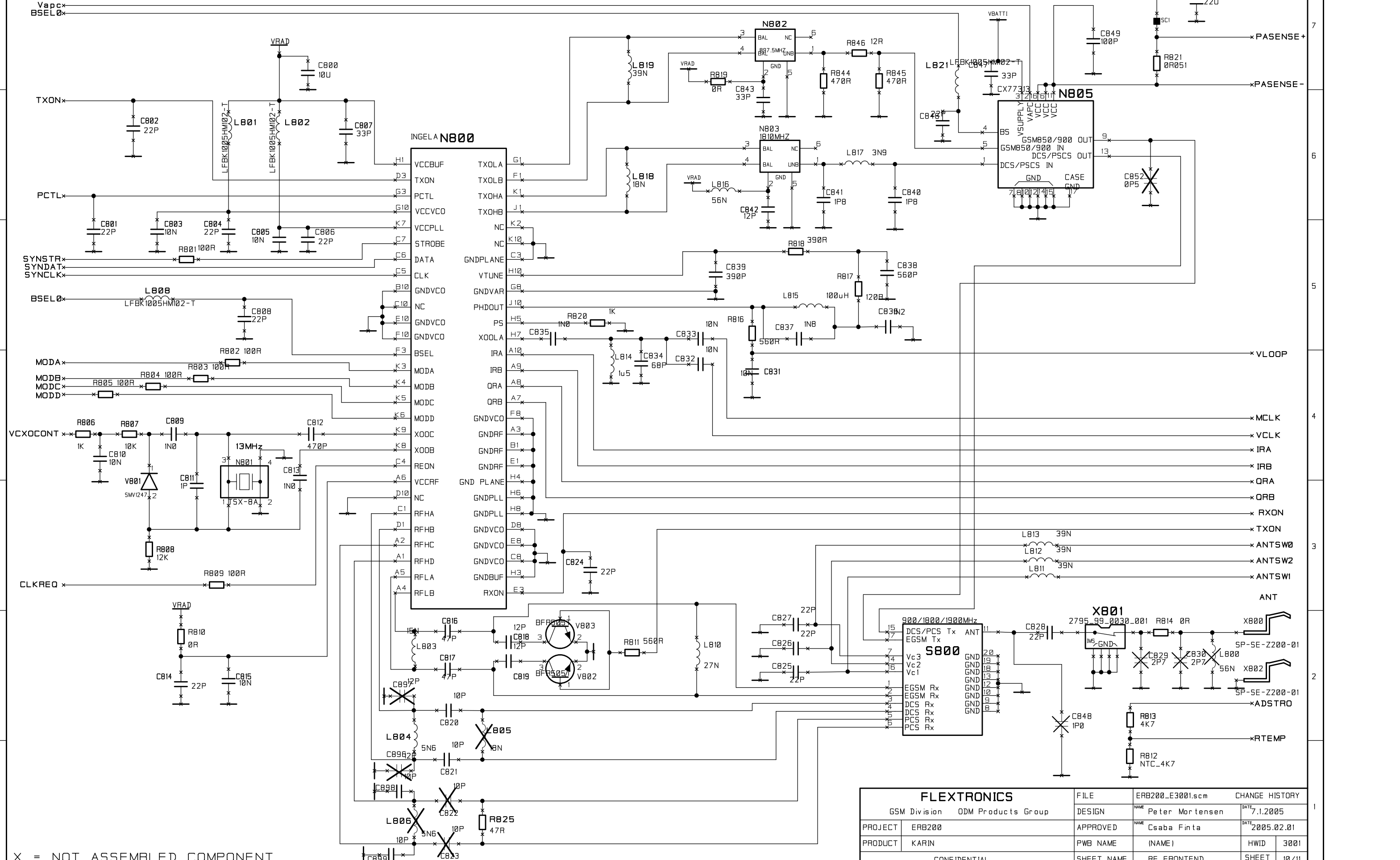
# RF\_Frontend

# RF\_Hertha



|   |        |            |                  |                |            |
|---|--------|------------|------------------|----------------|------------|
| <b>FLEXTRONICS</b><br>GSM Division ODM Products Group |        | FILE       | ERB200_E3001.scm | CHANGE HISTORY |            |
|   |        | DESIGN     | NAME Csaba Finta | DATE           | 7.1.2005   |
| PROJECT   | ERB200 | APPROVED   | NAME Csaba Finta | DATE           | 2005.02.01 |
| PRODUCT   | KARIN  | PWB NAME   | (NAME)           | HWID           | 3001       |
| CONFIDENTIAL  |        | SHEET NAME | Radio Interface  | SHEET NUMBER   | 9/11       |

X = NOT ASSEMBLED COMPONENT

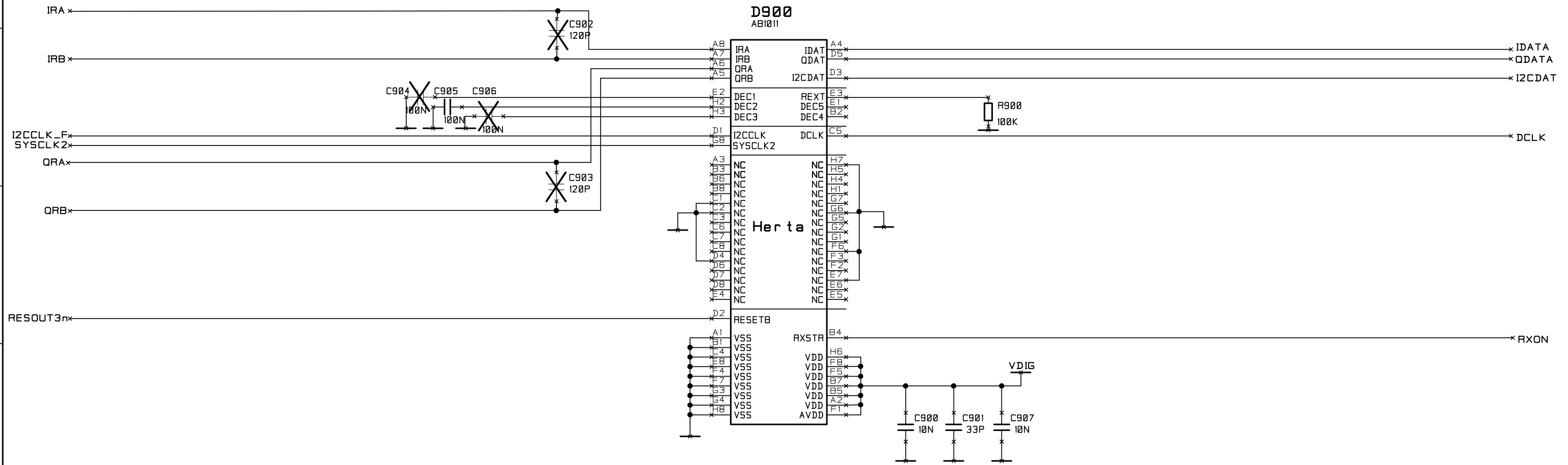


X = NOT ASSEMBLED COMPONENT

| FLEXTRONICS                     |        | FILE       | ERB200_E3001.scm     | CHANGE HISTORY     |
|---------------------------------|--------|------------|----------------------|--------------------|
| GSM Division ODM Products Group |        | DESIGN     | NAME Peter Mortensen | DATE 7.1.2005      |
| PROJECT                         | ERB200 | APPROVED   | NAME Csaba Finta     | DATE 2005.02.01    |
| PRODUCT                         | KARIN  | PWB NAME   | (NAME)               | HWID 3001          |
| CONFIDENTIAL                    |        | SHEET NAME | RF_FRONTEND          | SHEET NUMBER 10/11 |

# RF\_HERTA

#900-999



X = NOT ASSEMBLED COMPONENT

| FLEXTRONICS                     |        | FILE       | ERB200_E3001.scm     | CHANGE HISTORY |            |
|---------------------------------|--------|------------|----------------------|----------------|------------|
| GSM Division ODM Products Group |        | DESIGN     | NAME Peter Mortensen | DATE           | 7.1.2005   |
| PROJECT                         | ERB200 | APPROVED   | NAME Csaba Finta     | DATE           | 2005.02.01 |
| PRODUCT                         | KARIN  | PWB NAME   | (NAME)               | HWID           | 3001       |
| CONFIDENTIAL                    |        | SHEET NAME | RF_HERTA             | SHEET NUMBER   | 11/11      |